



Photovoltaic Isolation Transformer

Descriptions

SG isolation transformer is used to solve the power grid problems which are caused by the photovoltaic power generation, such as harmonic, flickering, DC magnetic bias, and over voltage. Transformers are usually used between power grid and grid-connected inverter which can isolated inverter and sent the power back to grid.

Main Characteristics

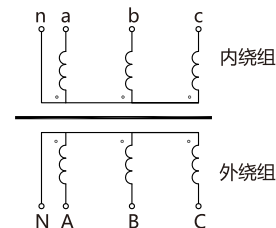
Nominal frequency	50Hz	Noise Level	≤60dB(50/60Hz, 1m away)
Primary	3× 380VAC	Isolation testing voltage	Input-output: 3000VAC
Secondary	3× 380VAC		Input-PE: 3000VAC
Connection Type	YN.yn0		Output-PE: 3000VAC
Insulation classes	H	Temperature Rise	See selection table
Optional part	Cabinet (IP20/IP65)	Ambient temperature	-20...+45°C
Insulation class	See selection table	Storage temperature	-20...+30°C
Insulation Resistance	≥100MΩ(DC500V)	Cooling	AN/AF

Insulation classes

INSULATION CLASS	Maximum Continuous Operation Temperature Allowed	Maximum permissible mean temperature rise at rated operation	Maximum permissible average temperature rise at short circuit
E	120°C	75K	130K
B	130°C	80K	145K
F	155°C	100K	170K
H	180°C	135K	200K

Connection

Primary [N,A, B,C]
Secondary [n,a, b,c]
◦同名端为始端
绕组连接 YN.yn0



STANDARDS

TYPE

- After IEC60038 the input voltage can change about ±10%. The transformer rating power must be suitable selected.
- JBT9649-19999
- Low voltage directive(2006/95/EC)
- EN 61558-2-4
- EMC-Directive(2004/108/EC)

SIGNS



Selection Table

Type	Picture NO.	Capacitance (KVA)	Connection Group	Insulation Class 绝缘等级	Temp. Rise 温升	Inrush current 合闸电流 (Times)	Weight (Kg)	Optional part Cabinet			
								IP65	Weight (Kg)	IP20	Weight (Kg)
SKS-SG-5/0.38	A	5	YN,yn0	H	100K	9.8	54	Model A1	17.5	\	\
SKS-SG-6/0.38	A	6	YN,yn0	H	100K	9.8	54	Model A1	17.5	\	\
SKS-SG-7/0.38	A	7	YN,yn0	H	100K	9.0	58	Model A1	17.5	\	\
SKS-SG-8/0.38	A	8	YN,yn0	H	100K	9.0	58	Model A1	17.5	\	\
SKS-SG-9/0.38	A	9	YN,yn0	H	100K	8.0	69	Model A2	41	\	\
SKS-SG-10/0.38	A	10	YN,yn0	H	100K	8.5	76	Model A2	41	\	\
SKS-SG-12.5/0.38	B	12.5	YN,yn0	H	100K	8.0	90	Model A3	54	\	\
SKS-SG-16/0.38	B	16	YN,yn0	H	100K	8.0	108	Model A3	54	\	\
SKS-SG-20/0.38	C	20	YN,yn0	H	100K	8.1	139	Model A4	65	\	\
SKS-SG-25/0.38	D	25	YN,yn0	H	100K	11	185	Model A5	82	Model B1	40
SKS-SG-30/0.38	D	30	YN,yn0	H	100K	10	195	Model A5	82	Model B2	60
SKS-SG-40/0.38	D	40	YN,yn0	H	100K	10	238	Model A5	82	Model B2	60
SKS-SG-50/0.38	D	50	YN,yn0	H	100K	10	280	Model A5	82	Model B2	60
SKS-SG-55/0.38	D	55	YN,yn0	H	100K	9.7	318	Model A6	82	Model B2	60
SKS-SG-60/0.38	D	60	YN,yn0	H	100K	9.0	320	Model A6	82	Model B3	73
SKS-SG-63/0.38	D	63	YN,yn0	H	100K	9.0	320	Model A6	82	Model B3	73
SKS-SG-85/0.38	E	85	YN,yn0	H	100K	10.0	420	\	\	Model B3	73
SKS-SG-100/0.38	E	100	YN,yn0	H	100K	10.0	433	\	\	Model B3	73
SKS-SG-200/0.38	F	200	YN,yn0	H	100K	7.0	770	\	\	Model B4	105

NOTE: ① 5kva~20kva are Natural Air cooling;

② 25kva and above have a fan on each cabinet, When the temperature of transformer reaches 85 °C, the fan starts to work; When the temperature of transformer reaches 165 °C, High temperature alarm is activated.

Mechanical data All dimensions in mm; 1 inch = 25,4 mm

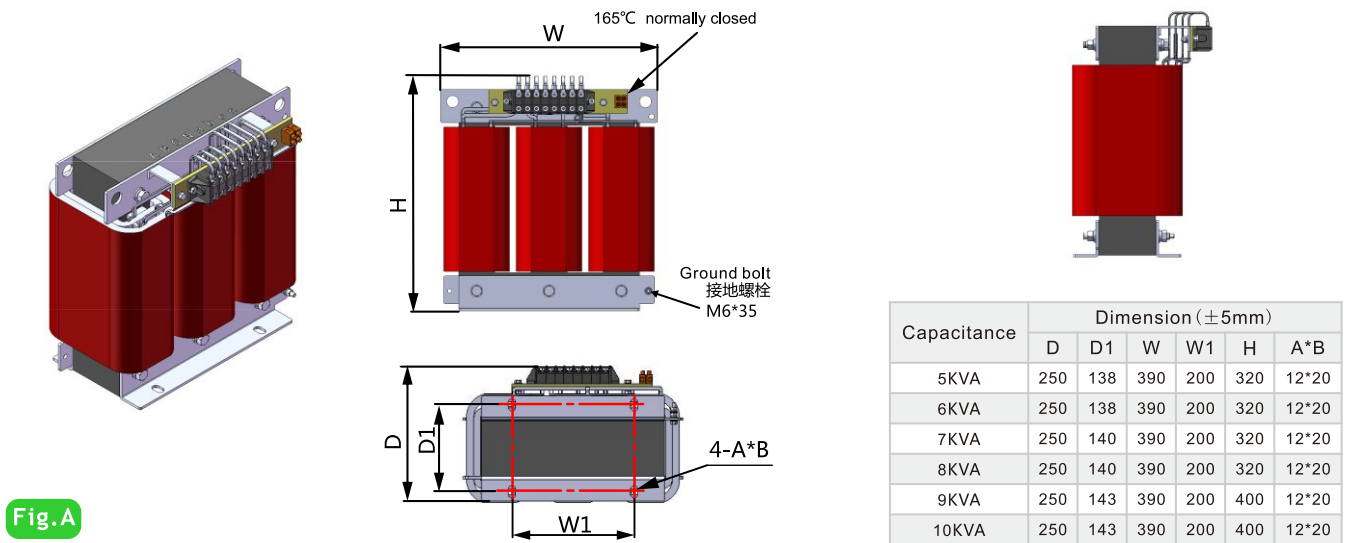


Fig.A

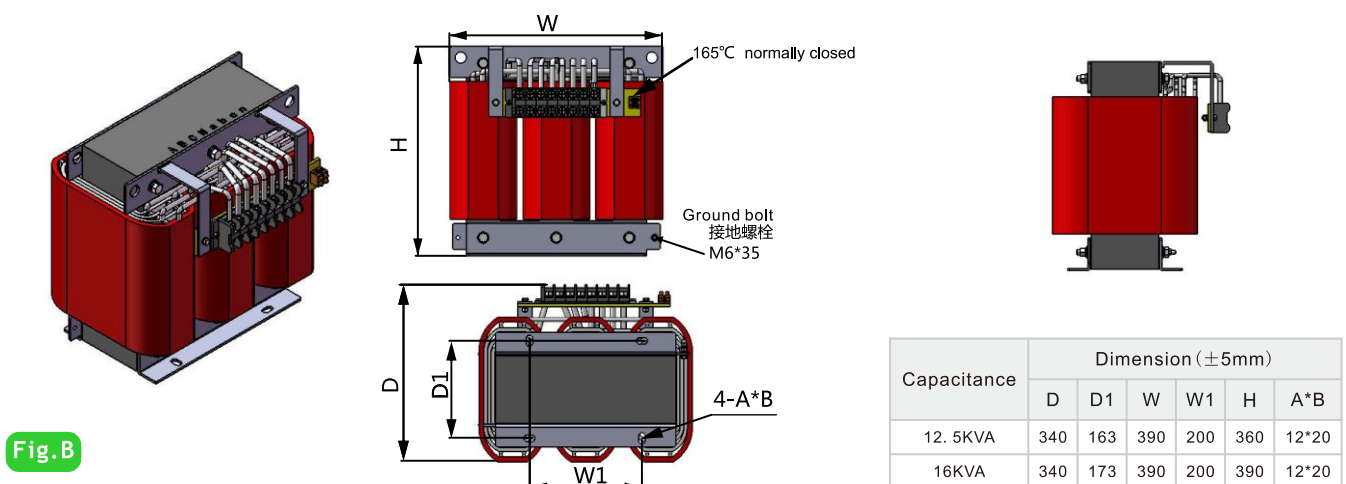


Fig.B

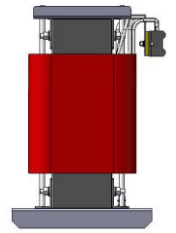
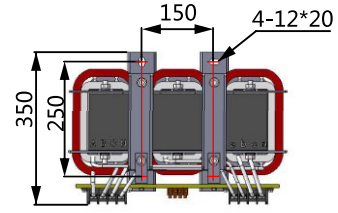
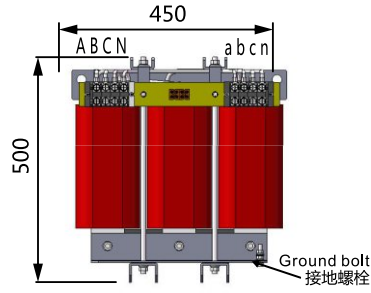
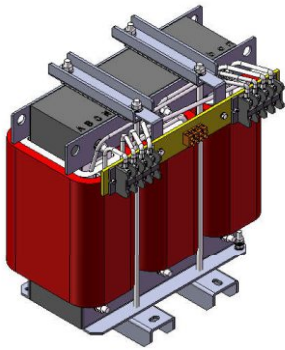
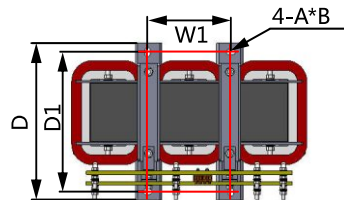
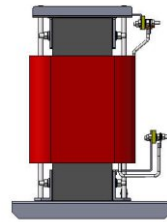
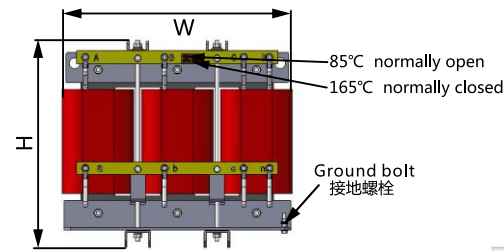
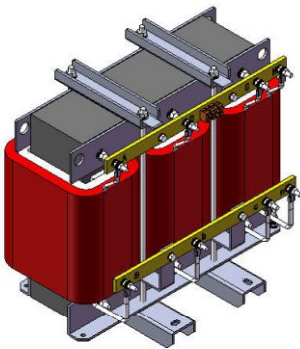


Fig.C



Capacitance	Dimension (±5mm)					
	D	D1	W	W1	H	A*B
25KVA	370	320	550	190	500	12*20
30KVA	380	320	550	190	500	12*20
40KVA	390	320	570	190	530	12*20
50KVA	400	320	570	190	580	12*20
55KVA	420	350	580	200	620	12*20
60KVA	420	350	580	200	620	12*20
63KVA	420	350	580	200	620	12*20

Fig.D

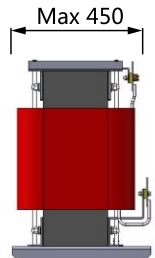
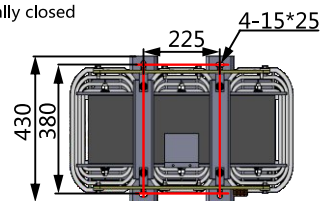
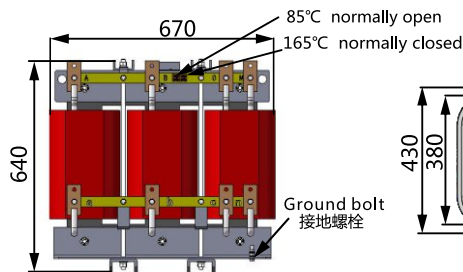
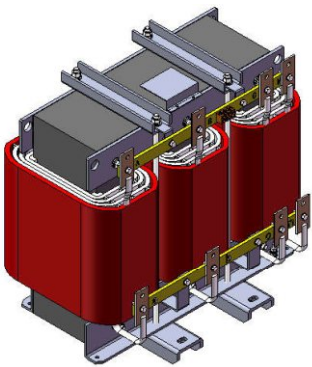


Fig.E

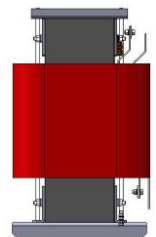
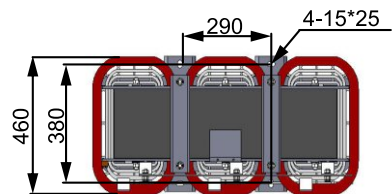
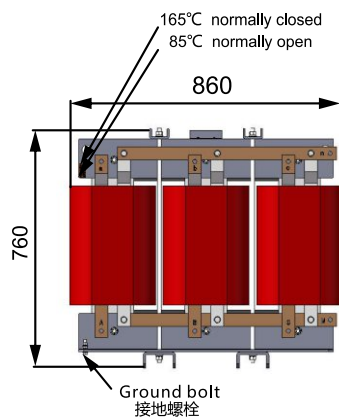
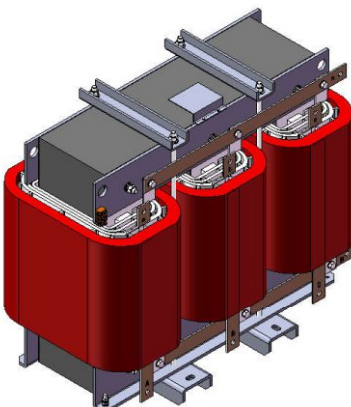
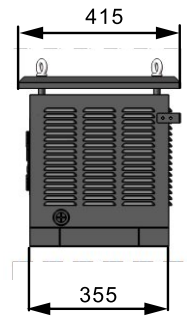
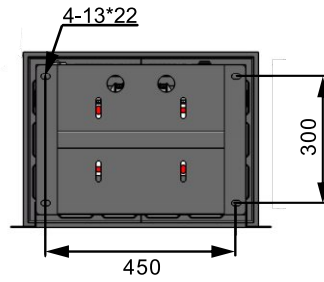
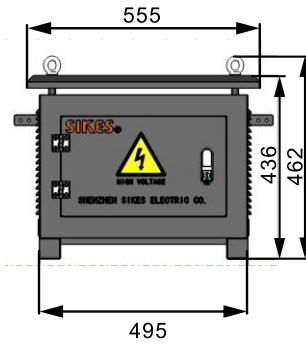
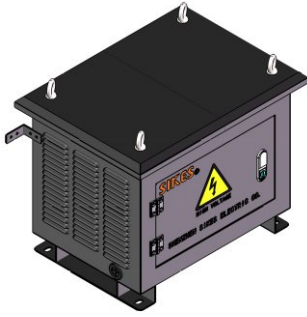
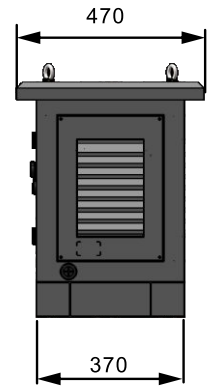
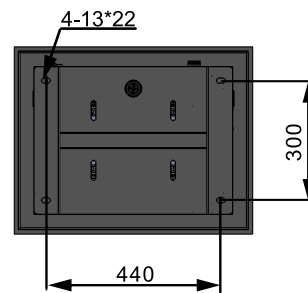
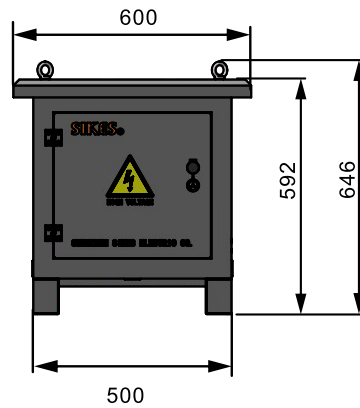
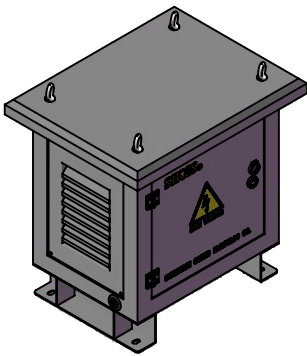


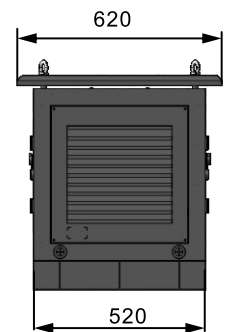
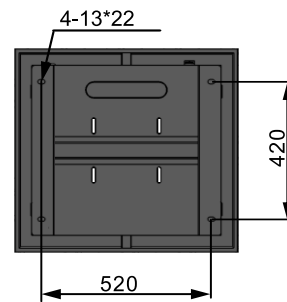
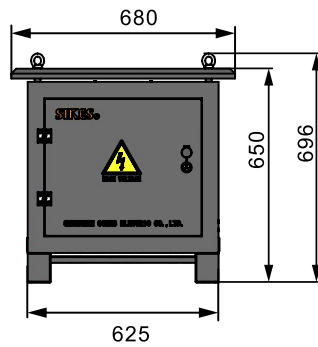
Fig.F



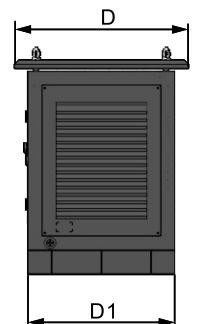
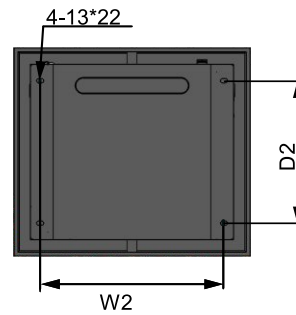
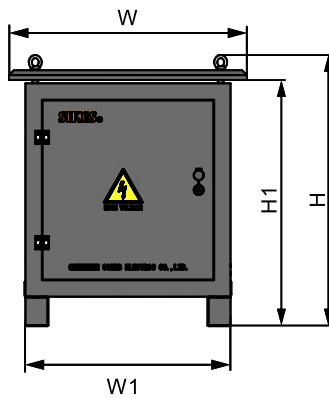
Model A1 White painting



Model A2 Gray painting

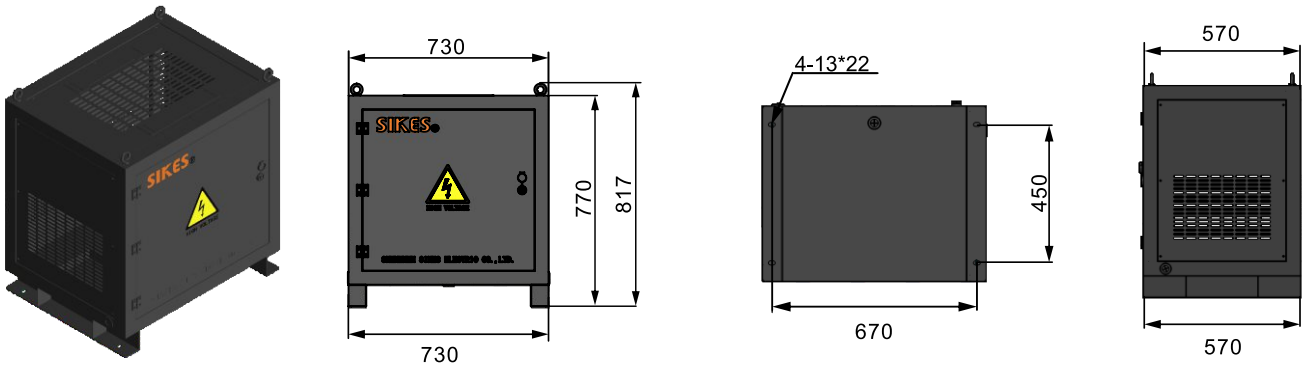


Model A3 Gray painting

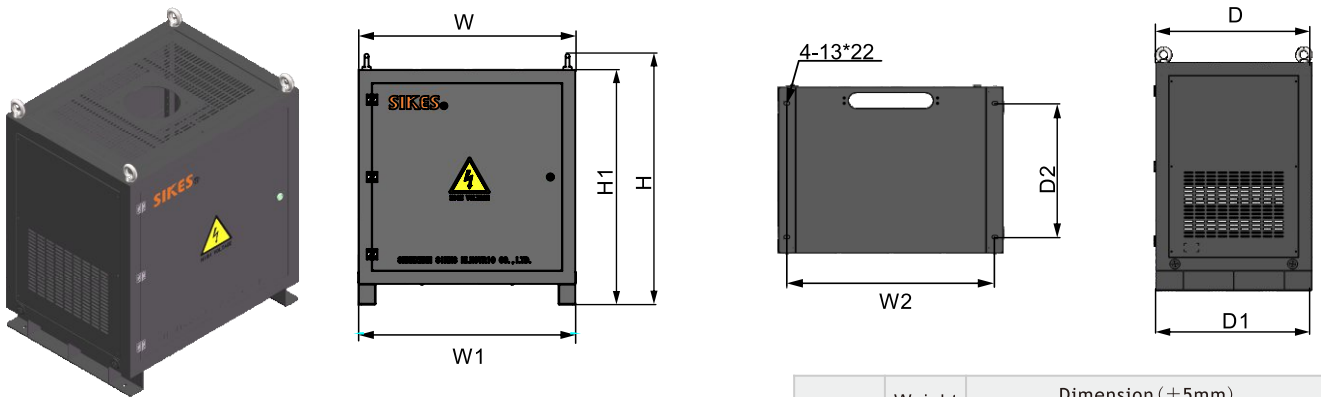


Model A4,A5,A6 Gray painting

Model	Weight (Kg)	Dimension (±5mm)							
		D	D1	D2	W	W1	W2	H	H1
Model A4	65	635	535	435	725	625	565	826	780
Model A5	82	685	585	485	850	750	690	896	850
Model A6	82	705	605	505	865	765	705	966	920

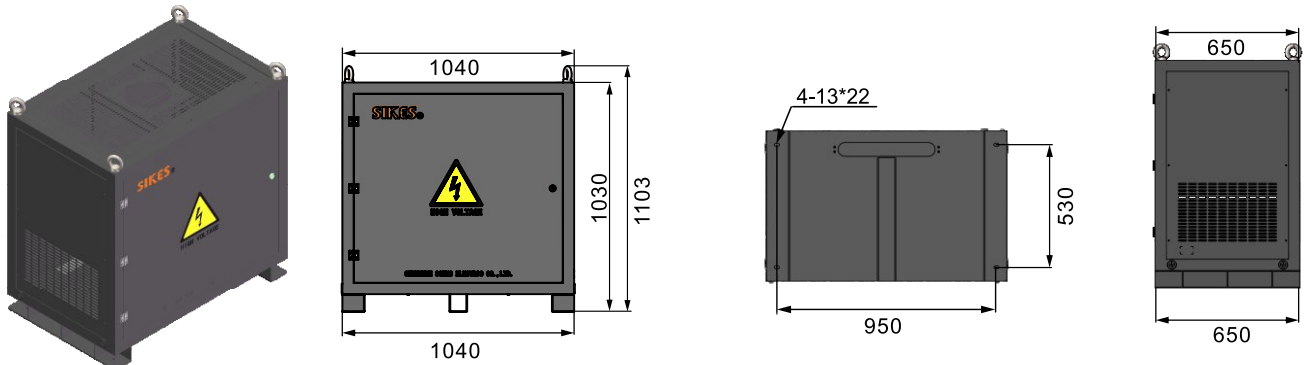


Model: B1 Gray painting



Model: B2,B3 Gray painting

Model	Weight (Kg)	Dimension (±5mm)							
		D	D1	D2	W	W1	W2	H	H1
Model B2	60	590	590	490	750	750	690	917	870
Model B3	73	620	620	500	840	840	780	973	910



Model: B4 Gray painting

SHENZHEN SIKES ELECTRIC CO., LTD